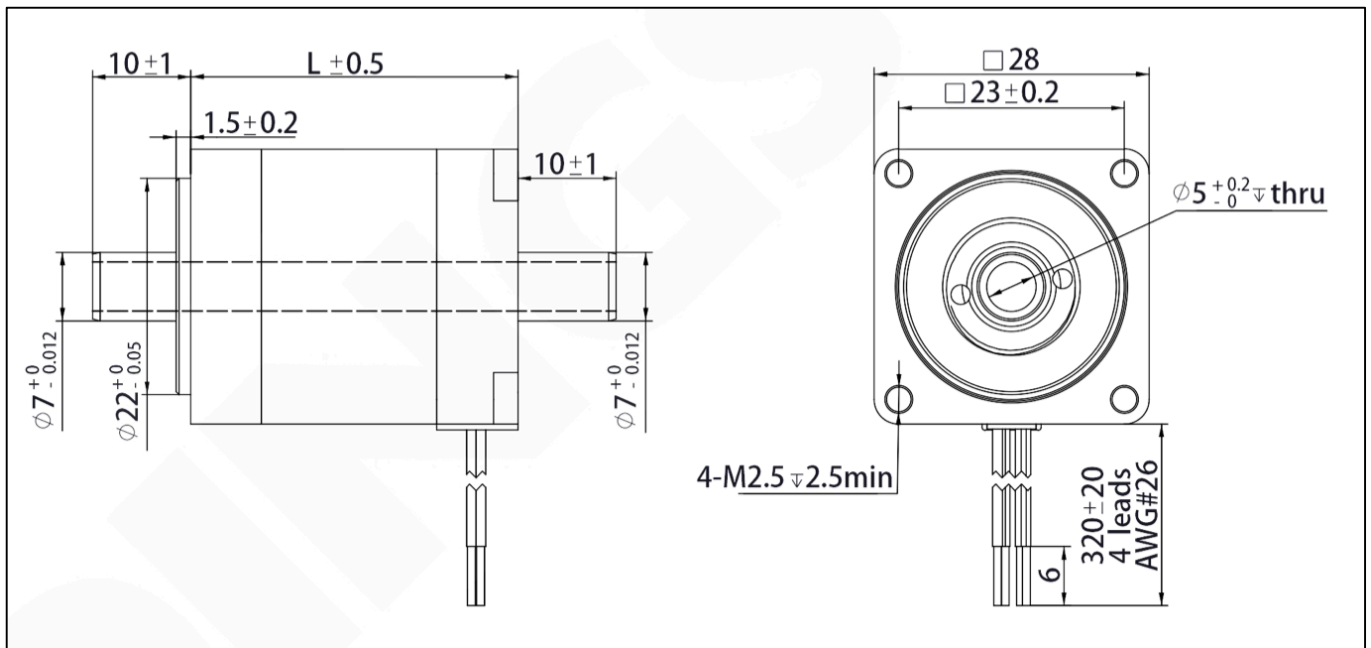




• Motor Characteristics

Motor	Rated Voltage (V)	Current (A)	Resistance ( $\Omega$ )	Inductance (mH)	Holding Torque (Nm)	Detent Torque (Nm)	Motor Length « L » (mm)
MOT1133-10-H-x	2,1	1,0	2,1	1,5	0,053	0,004	33,5
MOT1145-10-H-x	4,1	1,0	4,1	4,0	0,117	0,004	45

• Dimensional Drawings



- Torque Performance Curves

