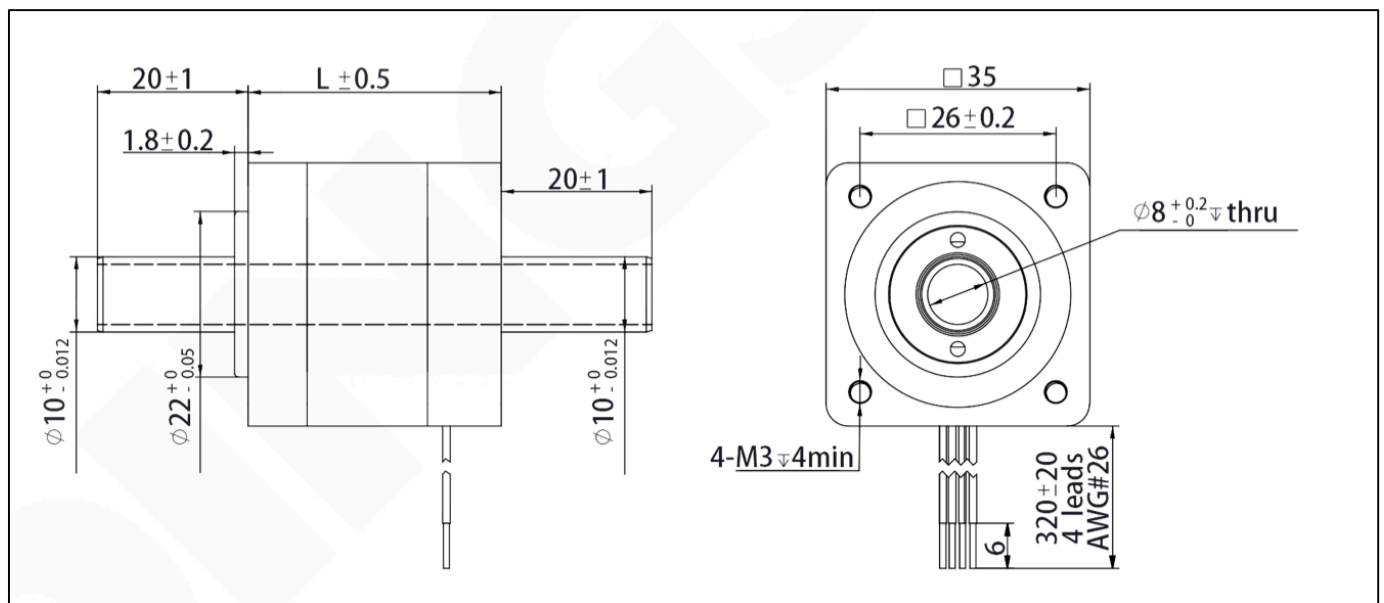




• Motor Characteristics

Motor	Rated Voltage (V)	Current (A)	Resistance (Ω)	Inductance (mH)	Holding Torque (Nm)	Detent Torque (Nm)	Motor Length « L » (mm)
MOT1433-10-H-x	3,5	1,0	3,5	3,6	0,19	0,008	33,6
MOT1445-10-H-x	6	1,0	6	7,2	0,36	0,013	45,6

• Dimensional Drawings



- Torque Performance Curves

