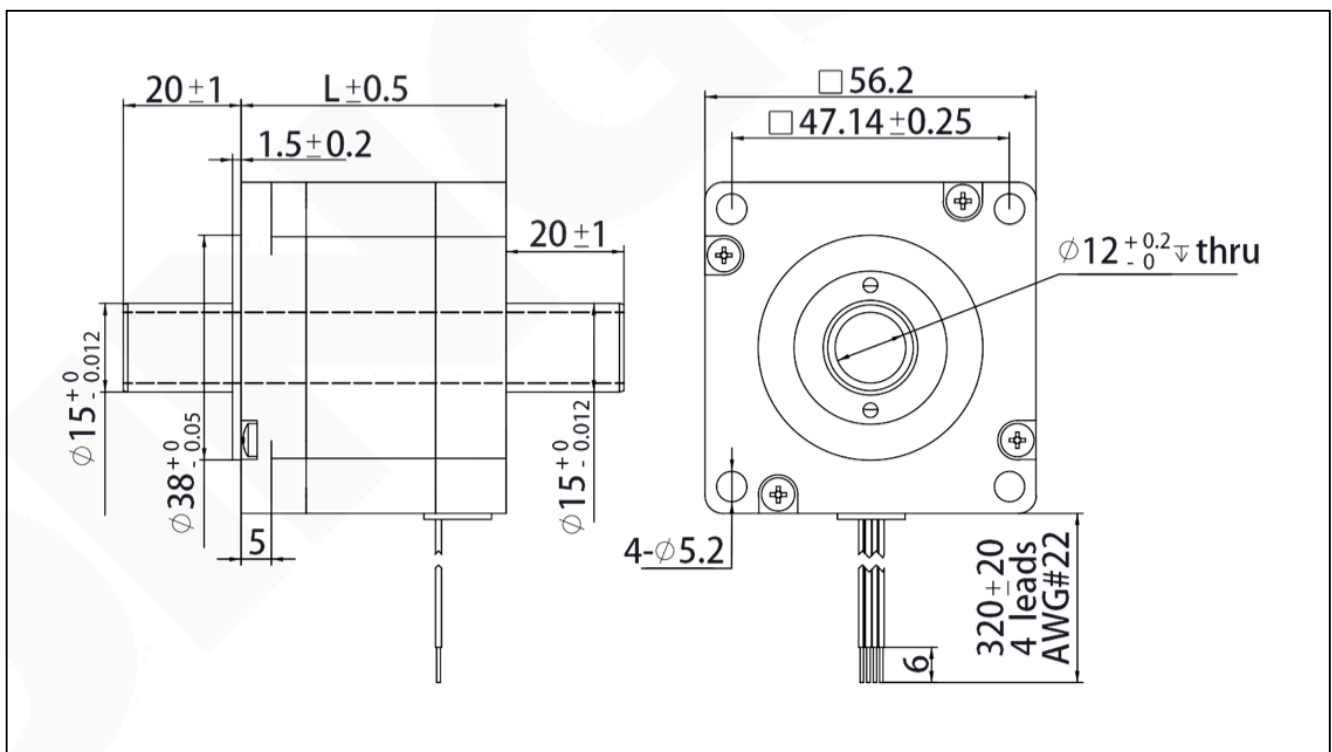




• Motor Characteristics

Motor	Rated Voltage (V)	Current (A)	Resistance (Ω)	Inductance (mH)	Holding Torque (Nm)	Detent Torque (Nm)	Motor Length « L » (mm)
MOT2345-20-H-x	3,5	2,0	1,75	4,1	1,2	0,020	45
MOT2365-25-H-x	5,0	2,5	2,0	5,2	1,7	0,040	65

• Dimensional Drawings



- Torque Performance Curves

